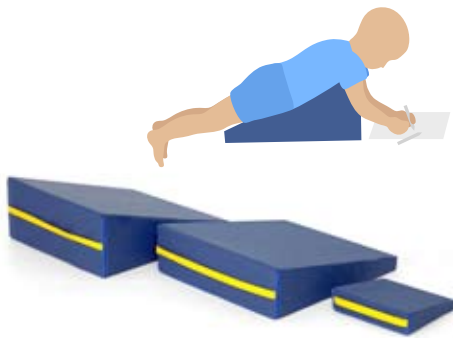


Positioning aids

Positioning aids

Prone Wedges



Used in the prone position to facilitate head, shoulder and arm movement. Made with combustion modified foam and FR wipe-clean vapour permeable cover. With carry strap.

Available in 3 sizes:

Size	Code	Length	Width	Height
Small	PWS	300 mm	300 mm	25/75 mm
Medium	PWM	650 mm	600 mm	50/175 mm
Large	PWL	650 mm	600 mm	50/250 mm

Postural rolls



Postural rolls are useful in various therapeutic activities for moving weight, rolling about balancing etc. Made with combustion modified foam and FR wipe-clean vapour permeable cover. With carry strap.

Available in 3 sizes:

Size	Code	Length	Diameter
Small	PRS	600 mm	200 mm
Medium	PRM	900 mm	300 mm
Large	PRL	900 mm	375 mm



T-roll positioning aid



The T-roll positioning aid has tubular shaped CMHR foam core. With a wipe-clean vapour permeable cover. T-shaped to give comfort and leg support when in a laying position. Zip-on cover enabling it to be removed and washed.

Uses:

- Positioning aid
- Support for hip abduction
- To position lower limbs
- General control of posture whilst lying supine.

Available in 5 sizes:

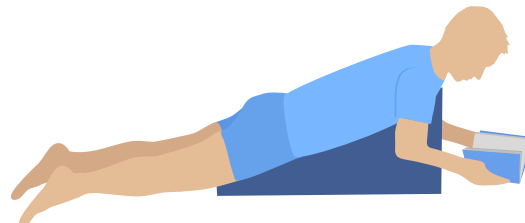
Name	Code	Size
Billy Paediatric	PPA	100 x 100 x 150 mm
Molly Small	PAS	150 x 150 x 510 mm
Annie Medium	PAM	150 x 200 x 710 mm
Archie Large	PAL	200 x 200 x 710 mm
Eddie Extra Large	PAEL	200 x 250 x 710 mm

Bed Wedges FWL

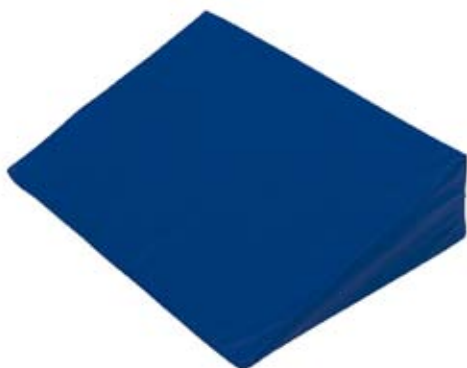


Many uses for this wedge include – A sitting up back rest, a pillow raiser, a foot raiser or a prone wedge. Made of polyurethane foam and covered in a vapour permeable wipe clean fabric.

Sizes:
61 x 61 cm
24 x 24 inches



Small Wedge FWS



Small wedge covered in vapour permeable wipe clean material.

Size:
22 x 15 x 5 cm

The Double Knee Wedge KBW



This cushion simulates the action of a knee break on a profiling bed preventing the patient from slipping down the bed at the same time reducing pressure on the heels. Covered in vapour permeable wipe clean material and has a non-slip base.



Prone Wedges

Positioning Aids

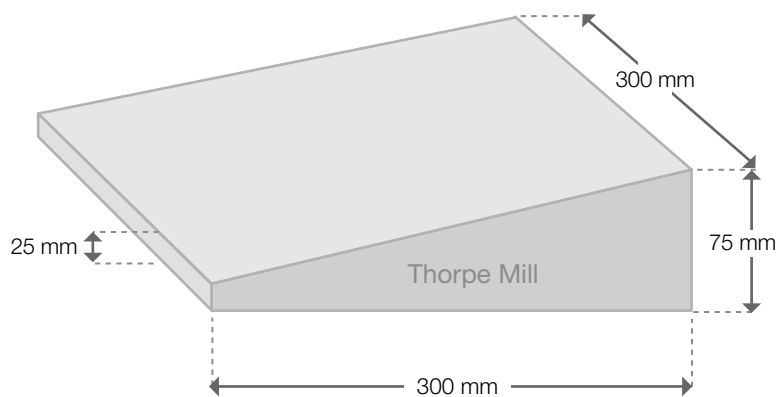
Thorpe Mill Ltd.

Pressure Care

www.thorpemill.co.uk

PWS

Small
PWS



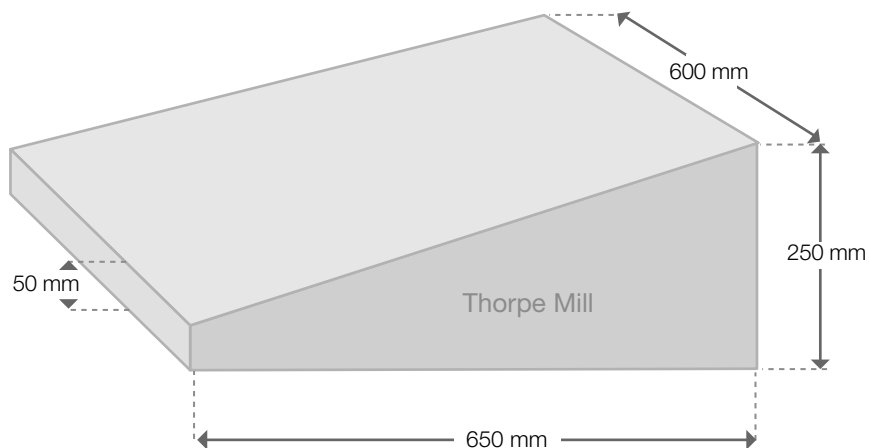
PWM

Medium
PWM



PWL

Large
PWL



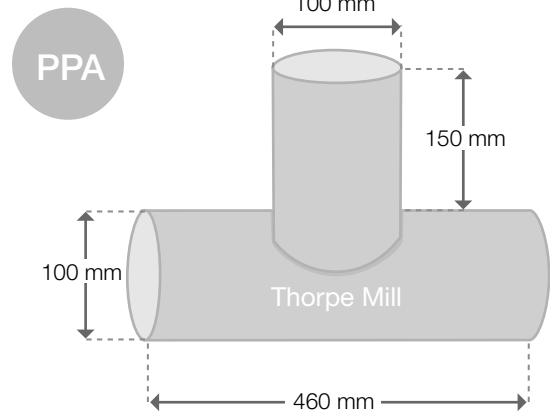
T Roll

Positioning Aids

Thorpe Mill Ltd.

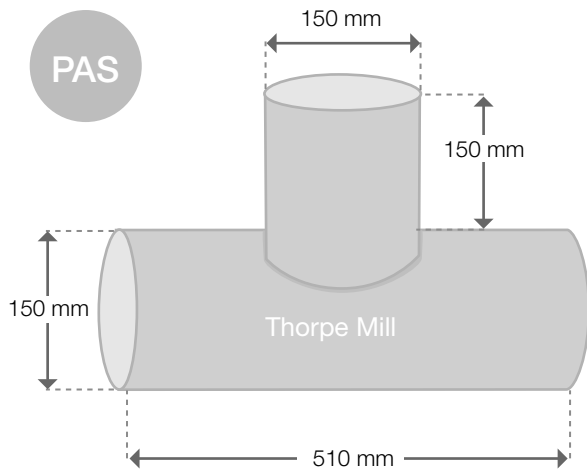
Pressure Care

www.thorpemill.co.uk



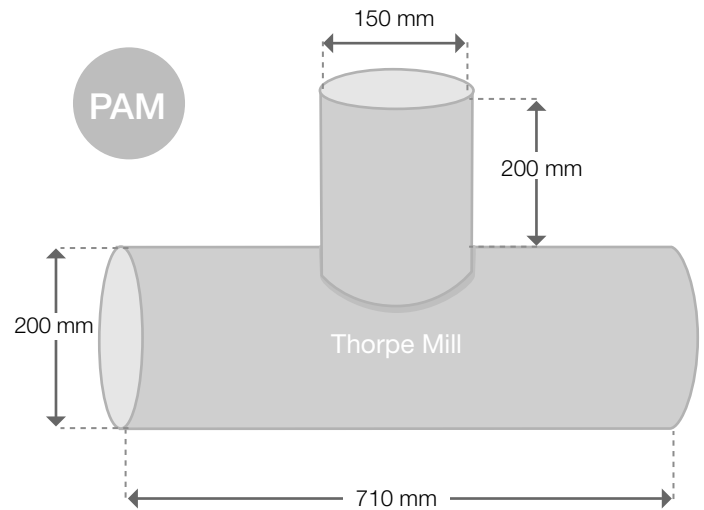
Billy

Paediatric Positioning Aid - PPA



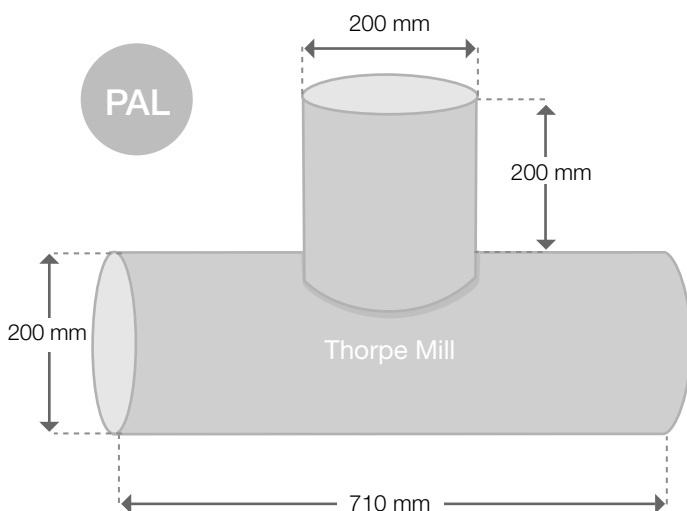
Molly

Small Positioning Aid - PAS



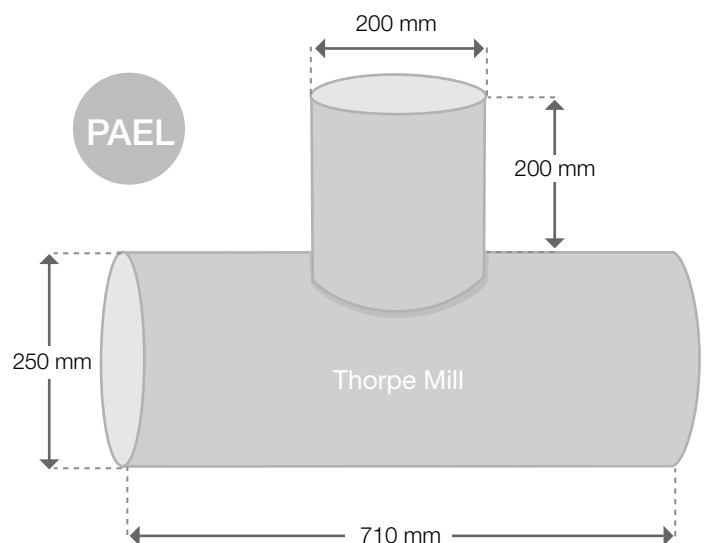
Annie

Medium Positioning Aid - PAM



Archie

Large Positioning Aid - PAL



Eddie

Extra Large Positioning Aid - PAEL

Posture Roll

Positioning Aids

Thorpe Mill Ltd.

Pressure Care

www.thorpemill.co.uk

PRS

Small
PRS



PRM

Medium
PRM



PRL

Large
PRL

